



**APLAST**  
ROTOMOULDING  
PIPING | TOOLING

# AQUAoil OIL AND GREASE SEPARATORS



## 5. AQUAoil grease separators

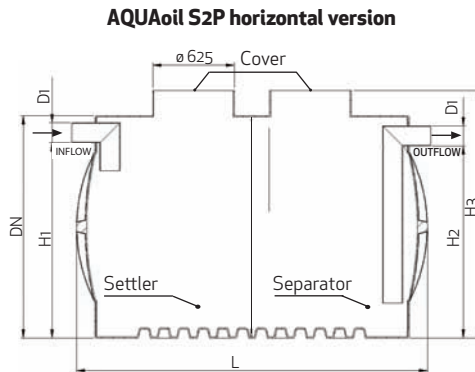
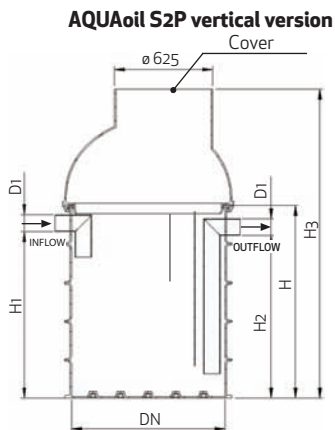
It is especially suitable for restaurants, which are subject to the statutory separation of greases and oils of organic origin before wastewater is drained into the sewer, before it reaches a cesspit or treatment plant. The separator functions by retaining organic matter from the wastewater before it is drained into the sewerage system.

AQUAoil NS\_S 2P - GR

| Cat. | TYPE<br>AQUAoil<br>S2P GR<br>Q (l/s) | TOTAL<br>VOLUME<br>(l) | PIPE<br>CONNECTOR<br>Ø (mm) | LENGTH<br>L (mm) | INFLOW /<br>OUTFLOW<br>H1 (mm) / H2 (mm) |      | HEIGHT H3<br>(mm) | DIAMETER<br>DN (mm) | NO. REV.<br>OPENINGS | NO. OF<br>RATIONS<br>(ration/day) |
|------|--------------------------------------|------------------------|-----------------------------|------------------|--|------|-------------------|---------------------|----------------------|-----------------------------------|
| 1    | * 1                                  | 450                    | 110                         | 1000             | 830                                      | 802  | 1250-1500         | 800                 | 1                    | 100                               |
| 2    | * 2                                  | 600                    | 110                         | 750              | 690                                      | 665  | 1500-1750         | 1000                | 1                    | 200                               |
| 3    | * 3                                  | 1000                   | 110                         | 1250             | 1080                                     | 1055 | 1750-2000         | 1000                | 1                    | 300                               |
| 4    | 4                                    | 1800                   | 110                         | 1640             | 1260                                     | 1210 | 1600              | 1400                | 1                    | 400                               |
| 6    | 6                                    | 2500                   | 125                         | 1940             | 1250                                     | 1200 | 1600              | 1400                | 1                    | 600                               |
| 10   | 10                                   | 3500                   | 160                         | 1800             | 1575                                     | 1550 | 2000              | 1750                | 1                    | 1000                              |
| 15   | 15                                   | 5500                   | 200                         | 2700             | 1540                                     | 1515 | 2000              | 1750                | 2                    | 1500                              |
| 20   | 20                                   | 7500                   | 200                         | 3600             | 1540                                     | 1515 | 2000              | 1750                | 2                    | 2000                              |
| 25   | 25                                   | 10000                  | 200                         | 4500             | 1540                                     | 1515 | 2000              | 1750                | 2                    | 2500                              |

\*Vertical version

- Max. surface area calculated for a rainfall intensity of 150l/(s ha) with a dwell time of T max. = 3min
- Option version with automatic closing for all types



- Images are symbolic and don't represent actual form of grease separators.



## 6. Accessories



Oil level sensor

The oil level sensor is a device with two probes. Should the oil level reach 90% of separator volume, the device warns us with a sound and visual signal.



Automatic closure

Automatic closure prevents oil from overflowing from the separator if there is a possibility that there is too much oil which could flow into the outflow pipe.



Oil level measuring gauge

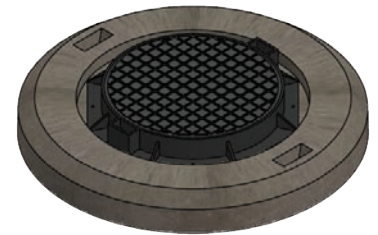


Sampling pump



PE covers FI 625

Security lock - child safety lock



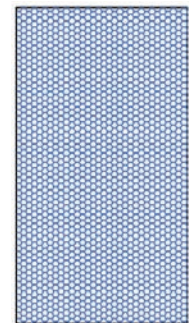
Cast iron covers with AB ring (class A to D)



Ring PE fi 625/250



Ring PE fi 625/500



Coalescence filters

**When installing and maintaining AQUAoil oil and grease separators** please strictly follow the instructions of the manufacturer! Instructions for installation and maintenance can also be found on our website: [www.aplast.si](http://www.aplast.si)



APLAST proizvodnja in trgovina d.o.o.  
Petrovče 115a, 3301 Petrovče, Slovenija  
[www.aplast.si](http://www.aplast.si) | [info@aplast.si](mailto:info@aplast.si)



**EXCLUSIVE DEALER:**